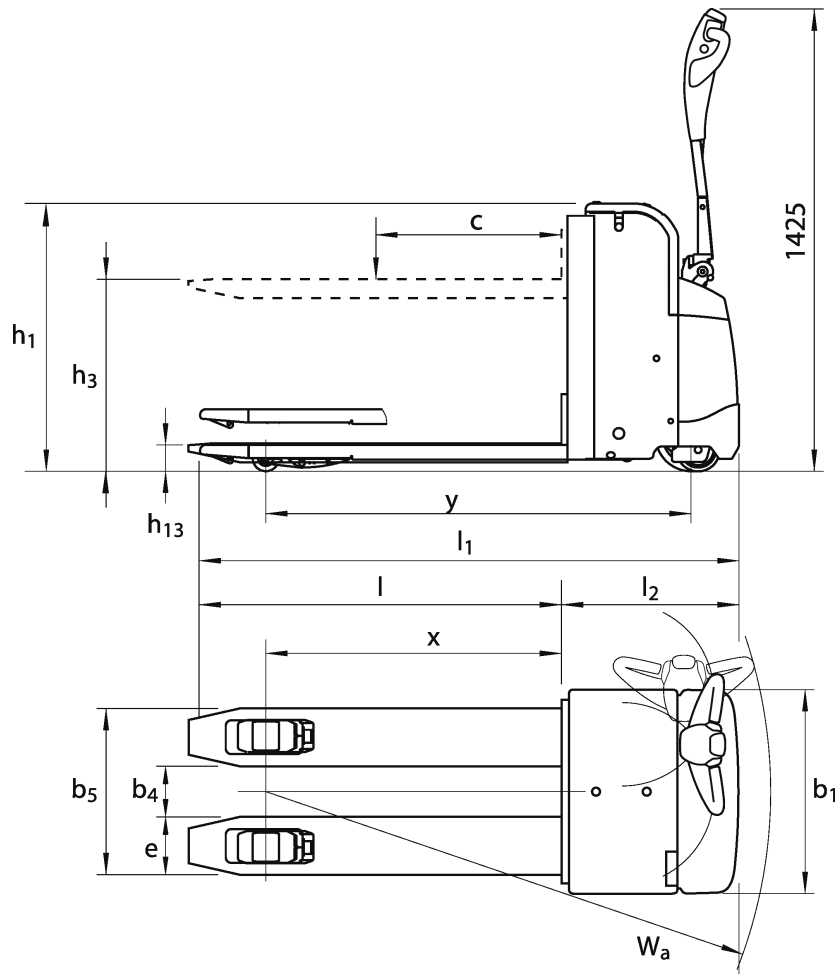


PEDESTRIAN PALLET TRUCK WITH STRADDLE AND FORKLIFT

PLE



Flexible use in small stores, food branches and "Do-it-yourself-shops" by compact construction. High side and drive stability with 4 point chassis. The truck with straddle lift and fork lift height of 730 mm.



Mast type	Lift height H	Height of mast lowered h1	Max mast height h4
Standard/Duplex			
Triplex			

Distinguishing mark	0 Specification			PLE
		1.2	Manufacturer's type designation	
	1.3	Drive: electric (battery or mains), diesel, petrol, fuel gas		Electric
	1.4	Operator type: hand, pedestrian, standing, seated, order-picker		Pedestrian
	1.5	Load capacity/rated load	Q t	0.8 / 1.8
	1.6	Load centre distance	c mm	600
	1.8	Load distance, centre of load axle to fork	X	990
	1.9	Wheelbase	y mm	1410
Weight	2.1	Service weight incl battery	kg	565
	2.2	Axle load, with load, front/rear	kg	
	2.3	Axle load, without load, front / rear	kg	940 / 1425
	2.4	Axle load, fork outreached with load, front / rear	kg	440 / 125
	2.5	Axle load, fork retracted with load, front / rear	kg	
Tyres, chassis	3.1	Tyres		Vulcollan
	3.2	Tyre size, drive side	mm	Ø 230x70
	3.3	Tyre size, load side	mm	Ø 85x99
	3.4	Dimensions additional wheels (castor wheels)		Ø 140x60
	3.5	Wheels, number front/rear (drive side/load side, x = driven wheels)		1x 1/2
	3.6	Track, drive side	b10 mm	382
	3.7	Track, load side	b11 mm	350
Dimensions	4.1	Tilt of mast/fork carriage, forward/backward		Grad
	4.2	Height, mast lowered	h1 mm	870-990
	4.3	Free lift	h2 mm	
	4.4	Lift height H = h1+h3	H mm	608
	4.5	Height, mast extended	h4 mm	
	4.6	Straddle lift	h5 mm	120
	4.7	Height of overhead guard (cabin)	h6 mm	
	4.8	Seat height/stand height	h7 mm	
	4.10	Height of wheel arms	h8 mm	
	4.11	Additional lift	h9 mm	
	4.14	Stand height, elevated	h12 mm	
	4.15	Height lowered	h13 mm	88
	4.19	Overall length	l1 mm	1775
	4.20	Length to face of forks	l2 mm	573
	4.21	Overall width	b1 mm	660
	4.21.1	Width over stabilizers	mm	
	4.22	Fork dimensions	s/e/l mm	60 / 184 / 1200
	4.23	Fork carriage to ISO 2328, clas / form A, B		
	4.24	Width of fork carriage	b3 mm	
	4.25	Width over forks, min/max	b5 mm	534
	4.26	Distance between wheel arms	b4 mm	
	4.27	Width across guide rolls	b6 mm	
	4.28	Reach distance	l4 mm	
	4.29	Reach lateral	b7 mm	
	4.30	Reach lateral from vehicle centerline	b8 mm	
	4.31	Ground clearance, mast	m1 mm	
	4.32	Ground clearance, centre of wheelbase	m2 mm	28-148
	4.33	Aisle width with pallet 1000 x 1200, crosswise	Ast mm	
	4.34	Aisle width for pallet 800 x 1200, lengthwise	Ast mm	2123
		Transfer aisle	0 mm	
	4.35	Turning radius	Wa mm	1707
	4.37	Length incl reach legs	l7 mm	
	4.38	Distance to swivelling-fork pivot	0 mm	
Performance data	5.1	Travel speed, with/without load		km/h 5.7 / 6,0
	5.1.1	Travel speed with/without load, backwards		km/h
	5.2	Lift speed, with/without load		m/s 0.09 / 0.19
	5.3	Lowering speed, with/without load		m/s
	5.4	Reach speed, with / without load		m/s
	5.7	Gradient, with/without load		% 6 / 19
	5.8	Max gradeability, with / without load, 5 min rating		%
	5.9	Acceleration time 0-10 m, with/without load		s
	5.10	Service brake: electric, hydraulic		El. - drive motor
	5.10.1	Parking brake: electric, hydraulic		Mech. - drive motor
Electric engine	6.1	Drive motor, rating S2 60 min	kW	1,3 AC
	6.2	Lift motor	kW	2,2
	6.3	Battery according to DIN 43531/35/36	A,B,C	
	6.4	Battery voltage / Battery capacity	V/Ah	24 / 150
	6.5	Battery weight	kg	150-190*
	6.6	Power consumption according to VDI cycle	kWh/h	
Additional data	8.1	Speed regulation		AC Inverter
	10.1	Operating pressure attachments	bar	
	10.2	Oil flow for attachments	l/min	
	10.7	Noise level at operator's ear, according to EN 12 053	db(A)	

* Varies according to battery size

All rights reserved to change above specification